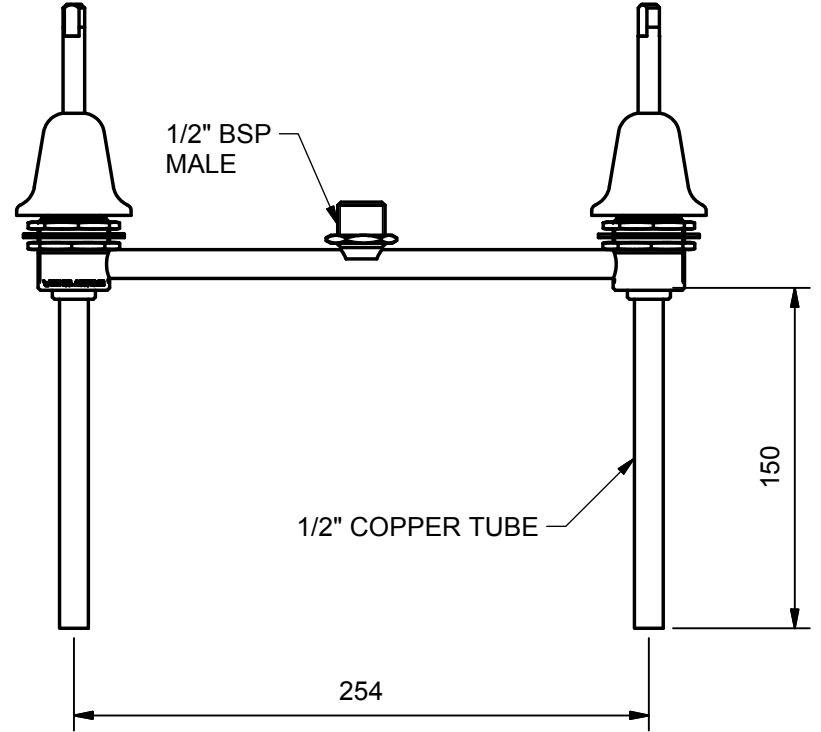
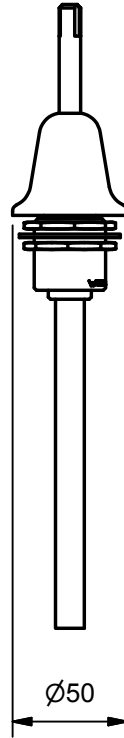
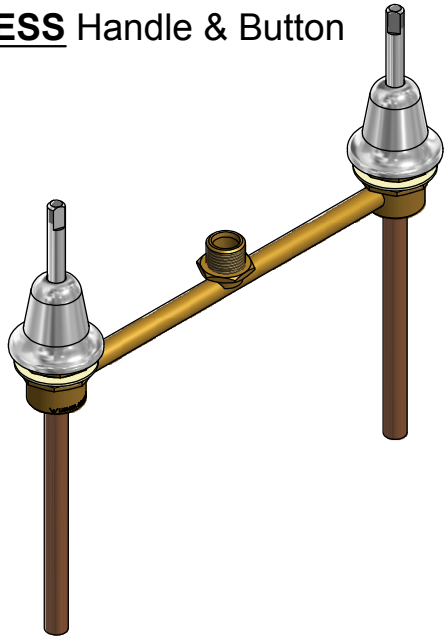


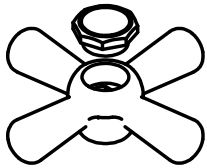
Supplied **LESS** Handle & Button



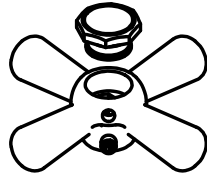
Headworks Available:

- O-RING
- 3/4 TURN CERAMIC DISC
- 1/4 TURN CERAMIC DISC
- 1/4 TURN CERAMIC DISC "CONTRA" (FOR LEVER)

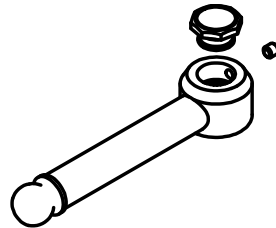
Available HANDLES & BUTTONS to suit this Product



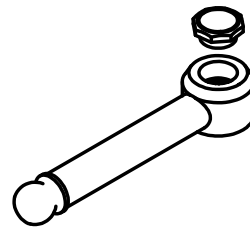
Easy Clean



Tamper Resistant



QHC Lever Tamper Resistant



QHC Lever Handle

Max Pressure: 1000kpa
 Min Pressure: 150kpa
 Max Temp: 80°c

Mounting Holes:
 - Taps - Min Ø32mm
 - Spout - Min Ø21mm



As part of Ramtaps commitment to quality products, Ramtaps reserves the right to alter the design or specification of it's products without notice.

RAMTAPS PTY. LTD.
 556 Curtin Ave. East. Eagle Farm 4009.
 Ph. (07) 3633 6000. Fax (07) 3633 6050.

© 2009 All dimensions in mm.
 This drawing remains the property of Ramtaps and should not be copied or distributed without Ramtaps consent.

Title **EASY CLEAN FORWARD BOWL SINK SET**

Code:	ECFBSS	Edition	01	Date of Issue:	17/03/2011
-------	--------	---------	----	----------------	------------